



# ERP15-35UX

SPEC SHEET

1,500 - 3,500 kg

---

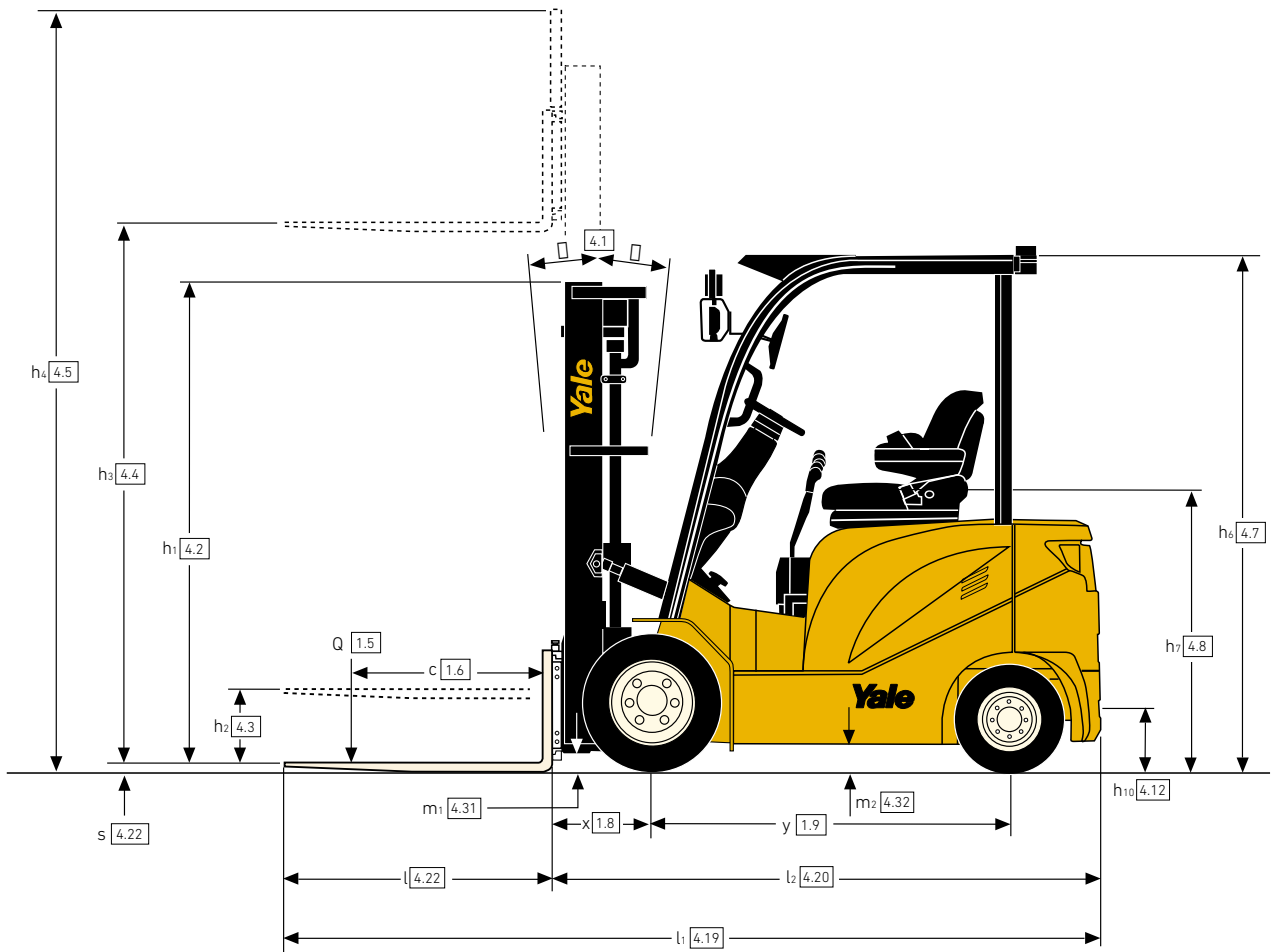
UX Series

---

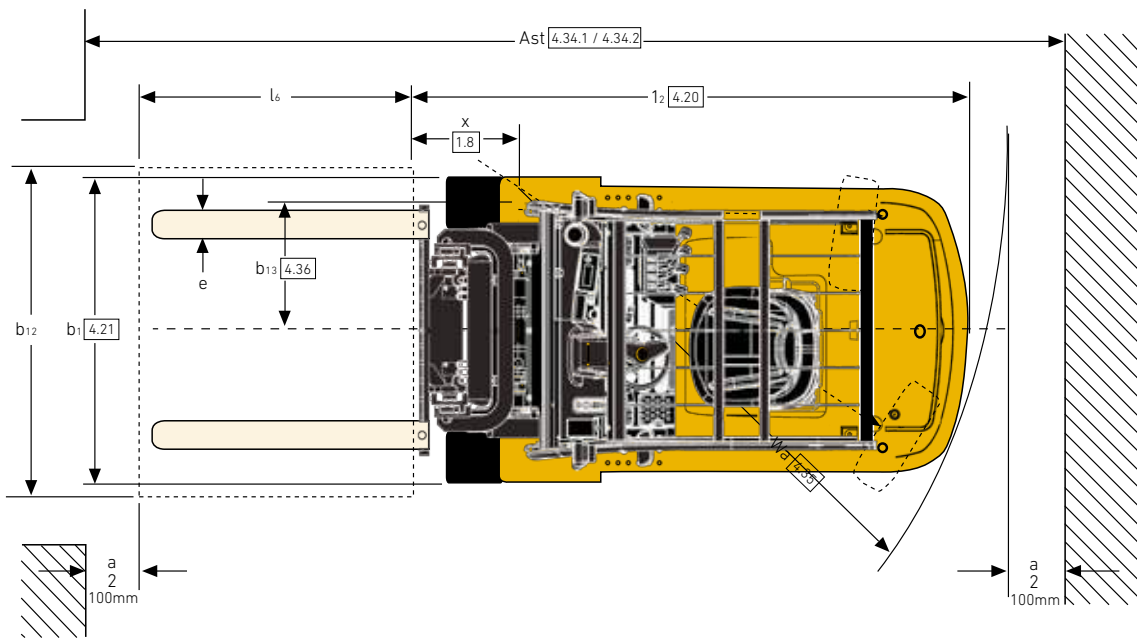
Electric Forklift Trucks

# TRUCK DIMENSIONS – UX SERIES

$$A_{st} = Wa + R + a = Wa + \sqrt{((l_6 + x)^2 + (b_{12} / 2 - b_{13})^2)} + a$$



# TRUCK DIMENSIONS – UX SERIES



## VDI 2198 – GENERAL SPECIFICATIONS – UX SERIES

		Yale				
		ERP 15UX	ERP 18UX	ERP 20UX		
<b>GENERAL</b>	1.1	Manufacturer				
	1.2	Model designation				
	1.3	Drive		Electric (battery)		
	1.4	Operator type		Seated		
	1.5	Rated capacity/rated load	Q (t)	1.5	1.8	2.0
	1.6	Load centre distance	c (mm)	500		
	1.8	Load distance, centre of drive axle to fork	x (mm)	410		454
	1.9	Wheelbase	y (mm)	1380		1485
	<b>WEIGHT</b>	2.1	Service weight	kg	3030	3310
2.2		Axle loading, laden front/rear	kg	3940 / 590	4594 / 625	5110 / 930
2.3		Axle loading, unladen front/rear	kg	1490 / 1590	1431 / 1878	1770 / 2270
<b>TYRES</b>	3.1	Tyres front/rear		Superelastic		
	3.2	Tyre size, front		6.00-9	21 x 8-9	23 x 9-10
	3.3	Tyre size, rear		5.00-8		18 x 7-8
	3.5	Wheels, number front/rear (x = driven wheels)		2x / 2		
	3.6	Tread, front	b <sub>10</sub> (mm)	955		1058
	3.7	Tread, rear	b <sub>11</sub> (mm)	920		960
	<b>DIMENSIONS</b>	4.1	Tilt of mast/fork carriage forward/backward	α / β (°)	5 / 10	
4.2		Height, mast lowered	h <sub>1</sub> (mm)	2000		2015
4.3		Free lift <sup>(1)</sup>	h <sub>2</sub> (mm)	135		140
4.4		Lift <sup>(1)</sup>	h <sub>3</sub> (mm)	3000		
4.5		Height, mast extended <sup>(2)</sup>	h <sub>4</sub> (mm)	3980		
4.7		Height of overhead guard (cabin) <sup>(3)</sup>	(mm)	2155		2152
4.8		Seat height relating to SIP/stand height <sup>(4)</sup>	h <sub>7</sub> (mm)	1080		
4.12		Coupling height	h <sub>10</sub> (mm)	290		250
4.19		Overall length	l <sub>1</sub> (mm)	3026		3372
4.20		Length to face of forks	l <sub>2</sub> (mm)	2106		2302
4.21		Overall width	b <sub>1</sub> /b <sub>2</sub> (mm)	1120		
4.22		Fork dimensions ISO 2331	s/e/l (mm)	35 / 100 / 920		40 / 122 / 1070
4.23		Fork carriage ISO 2328, class/type A, B		ISO2328 2A		
4.24		Fork carriage width <sup>(2)</sup>	b <sub>3</sub> (mm)	1040		
4.25		Distance between fork-arms	b <sub>5</sub> (mm)	200 / 890		250 / 1000
4.31		Ground clearance, laden, below mast	m <sub>1</sub> (mm)	95		
4.32		Ground clearance at centre of wheelbase	m <sub>2</sub> (mm)	105		
4.34.1		Aisle width for pallets 1000 × 1200 crossways	A <sub>st</sub> (mm)	3580		3879
4.34.2		Aisle width for pallets 800 × 1200 lengthways	A <sub>st</sub> (mm)	3780		4009
4.35	Turning radius	W <sub>a</sub> (mm)	1970		2155	
4.36	Internal turning radius	b <sub>13</sub> (mm)	703		599	
<b>PERFORMANCE</b>	5.1	Travel speed, laden/unladen	km/h	15 / 15.7	14.8 / 15.7	15.7 / 15.7
	5.2	Lift speed, laden/unladen	mm/s	370 / 512	315 / 512	333 / 500
	5.3	Lowering speed, laden/unladen	mm/s	400 / 502	390 / 502	434 / 415
	5.5	Drawbar pull, laden/unladen	N	NA		
	5.6	Max. drawbar pull, laden/unladen, 5 minute rating	N	NA		
	5.6.1	Max. drawbar pull, laden/unladen, 3 minute rating	N	10800 / 8700		14400 / 10500
	5.7	Gradeability, laden/unladen	%	NA		
	5.8	Max. gradeability, laden/unladen, 5 minute rating	%	NA		
	5.8.1	Max. gradeability, laden/unladen, 3 minute rating	%	16 / 23	15 / 22	20 / 23
	5.9	Acceleration time, laden/unladen 10m	s	5.12 / 4.75	5.25 / 4.75	5.2 / 4.78
5.9.1	Acceleration time, laden/unladen 15m	s	6.82 / 5.88	6.91 / 5.88	6.5 / 6.24	
5.10	Service brake		Hydraulic			
<b>ELECTRIC</b>	6.1	Drive motor rating S2 60 min	kW	6.5		8.5
	6.2	Lift motor rating at S3 15%	kW	8.6		11
	6.3	Battery according to DIN 43531 / 35 / 36 A, B, C, no		No		
	6.4	Battery voltage/nominal capacity K5	(V)/(ah)	48 / 420		48 / 600
	6.5	Battery weight	kg	720		
	6.5.1	Battery dimensions	l/w/h (mm)	980 / 468 / 680		1028* 500* 780
6.6	Energy consumption according to VDI cycle	kWh/h @ no. of cycles	4.15	4.35	4.95	
<b>OTHER</b>	8.1	Type of drive unit		AC		
	8.2	Manufacturer		CURTIS		
	10.1	Operating pressure for attachments <sup>(5)</sup>	bar	138		
	10.2	Oil volume for attachments	l/min	38		
	10.3	Hydraulic oil tank, capacity	l	70.4	70.4	67.9
	10.7	Sound pressure level at the driver's seat LPAZ <sup>(6)</sup>	dB(A)	Ø30 Pin		
	10.8	Towing coupling, type DIN		25		30
	10.8.1	Number of steering rotation		3.6		3.9
	10.8.2	Turn over	t/h	96	120	130
	10.8.3	Steering force	N	7		

(1) Bottom of forks

(2) Without load backrest

(3) h<sub>3</sub> subject to +/- 5mm tolerance

(4) Full suspension specified

(5) Variable

(6) LPAZ, measured according to the test cycles and based on the weighting values contained in EN12053

**Spec sheet truck based on VDI 2198, with the following configuration:** Complete truck with 3000mm 2-stage limited free lift mast, standard carriage and 1000mm forks, overhead guard and standard superelastic drive and steer tyres

**All values are nominal values and they are subject to tolerances.**

## VDI 2198 – GENERAL SPECIFICATIONS – UX SERIES

		Yale				
		ERP 25UX	ERP 30UX	ERP 35UX		
<b>GENERAL</b>	1.1	Manufacturer				
	1.2	Model designation				
	1.3	Drive		Electric (battery)		
	1.4	Operator type		Seated		
	1.5	Rated capacity/rated load	Q (t)	2.5	3.0	3.5
	1.6	Load centre distance	c (mm)	500		
	1.8	Load distance, centre of drive axle to fork	x (mm)	454	475	495.5
	1.9	Wheelbase	y (mm)	1485	1670	1690
	<b>WEIGHT</b>	2.1	Service weight	kg	4226	4910
2.2		Axle loading, laden front/rear	kg	5720 / 1006	6830 / 970	7956/ 894
2.3		Axle loading, unladen front/rear	kg	1748 / 2478	2220 / 2700	2294 / 3015
<b>TYRES</b>	3.1	Tyres front/rear		Superelastic		
	3.2	Tyre size, front		23 x 9-10		23 x 10-12
	3.3	Tyre size, rear		18 x 7-8		200 / 50-10
	3.5	Wheels, number front/rear (x = driven wheels)		2x / 2		
	3.6	Tread, front	b <sub>10</sub> (mm)	1058	1065	1124
	3.7	Tread, rear	b <sub>11</sub> (mm)	960	980	1010
	<b>DIMENSIONS</b>	4.1	Tilt of mast/fork carriage forward/backward	α / β (°)	5 / 10	
4.2		Height, mast lowered	h <sub>1</sub> (mm)	2015	2045	2120
4.3		Free lift <sup>(1)</sup>	h <sub>2</sub> (mm)	140	165	
4.4		Lift <sup>(1)</sup>	h <sub>3</sub> (mm)	3000		
4.5		Height, mast extended <sup>(2)</sup>	h <sub>4</sub> (mm)	3980		
4.7		Height of overhead guard (cabin) <sup>(3)</sup>	(mm)	2152		2138
4.8		Seat height relating to SIP/stand height <sup>(4)</sup>	h <sub>7</sub> (mm)	1080		
4.12		Coupling height	h <sub>10</sub> (mm)	250	270	
4.19		Overall length	l <sub>1</sub> (mm)	3387	3614	3759
4.20		Length to face of forks	l <sub>2</sub> (mm)	2317	2544	2689
4.21		Overall width	b <sub>1</sub> /b <sub>2</sub> (mm)	1285		1365
4.22		Fork dimensions ISO 2331	s/e/l (mm)	40 / 122 / 1070		50 / 122 / 1070
4.23		Fork carriage ISO 2328, class/type A, B		ISO2328 2A	ISO2328 3A	
4.24		Fork carriage width <sup>(2)</sup>	b <sub>3</sub> (mm)	1040	1100	
4.25		Distance between fork-arms	b <sub>5</sub> (mm)	250 / 1000	290 / 1060	290 / 1060
4.31		Ground clearance, laden, below mast	m <sub>1</sub> (mm)	65		80
4.32		Ground clearance at centre of wheelbase	m <sub>2</sub> (mm)	95	110	83
4.34.1		Aisle width for pallets 1000 × 1200 crossways	A <sub>st</sub> (mm)	3879	4025	4101
4.34.2		Aisle width for pallets 800 × 1200 lengthways	A <sub>st</sub> (mm)	4009	4225	4301
4.35		Turning radius	W <sub>a</sub> (mm)	2155	2349	2405
4.36	Internal turning radius	b <sub>13</sub> (mm)	599	830	815	
<b>PERFORMANCE</b>	5.1	Travel speed, laden/unladen	km/h	14.9 / 15.7	15 / 16	
	5.2	Lift speed, laden/unladen	mm/s	307 / 500	385 / 500	282 / 500
	5.3	Lowering speed, laden/unladen	mm/s	405 / 415	420 / 475	400 / 355
	5.5	Drawbar pull, laden/unladen	N	NA		
	5.6	Max. drawbar pull, laden/unladen, 5 minute rating	N	NA		
	5.6.1	Max. drawbar pull, laden/unladen, 3 minute rating	N	14400 / 10500	21000 / 11500	
	5.7	Gradeability, laden/unladen	%	NA		
	5.8	Max. gradeability, laden/unladen, 5 minute rating	%	NA		
	5.8.1	Max. gradeability, laden/unladen, 3 minute rating	%	18 / 22	20 / 23	15 / 22
	5.9	Acceleration time, laden/unladen 10m	s	5.25 / 4.78	5.05 / 4.86	5.62 / 5.32
	5.9.1	Acceleration time, laden/unladen 15m	s	6.63 / 6.24	6.45 / 6.27	7.01 / 6.83
5.10	Service brake		Hydraulic			
<b>ELECTRIC</b>	6.1	Drive motor rating S2 60 min	kW	8.5	11.5	
	6.2	Lift motor rating at S3 15%	kW	11	15	
	6.3	Battery according to DIN 43531 / 35 / 36 A, B, C, no		No		
	6.4	Battery voltage/nominal capacity K5	(V)/(ah)	48 / 600	80 / 500	
	6.5	Battery weight	kg	970	1422	
	6.5.1	Battery dimensions	l/w/h (mm)	1028* 500* 780	1028 / 683 / 780	
6.6	Energy consumption according to VDI cycle	kWh/h @ no. of cycles	6.13	6.32	6.9	
<b>OTHER</b>	8.1	Type of drive unit		AC		
	8.2	Manufacturer		CURTIS		
	10.1	Operating pressure for attachments <sup>(5)</sup>	bar	180		
	10.2	Oil volume for attachments	l/min	38		
	10.3	Hydraulic oil tank, capacity	l	67.9	70	
	10.7	Sound pressure level at the driver's seat LPAZ <sup>(6)</sup>	dB(A)	Ø30 Pin		
	10.8	Towing coupling, type DIN		30	40	
	10.8.1	Number of steering rotation		3.9	3.8	
	10.8.2	Turn over	t/h	156	180	195
	10.8.3	Steering force	N	6.5	8	

## MAST DIMENSIONS – ERP 15UX

Mast type	Max fork height	Overall Extended Height			Free Lift		Mast Tilt		Capacity without Shiftshift				Capacity with Sideshift			
		Lowered height	Lift Height		With LBR	Without LBR	F	B	Single Pneu Tyres		Single Solid Tyres		Single Pneu Tyres		Single Solid Tyres	
			Without LBR	With LBR					@ 500 mm LC	@ 600 mm LC	@ 500 mm LC	@ 600 mm LC	@ 500 mm LC	@ 600 mm LC	@ 500 mm LC	@ 600 mm LC
(mm)	(mm)	(mm)	(mm)	(mm)	(mm)	(°)	(°)	(kg)	(kg)	(kg)	(kg)	(kg)	(kg)	(kg)	(kg)	
2LFL	3300	2140	3813	4284	135	135	5	10	1500	1390	1500	1410	1470	1330	1490	1350
	3500	2240	4013	4484	135	135	5	10	1500	1380	1500	1400	1450	1330	1470	1350
	4000	2540	4513	4984	135	135	5	10	1480	1340	1500	1360	1410	1280	1430	1300
	5000	3040	5513	5984	135	135	5	6	1240	1190	1310	1190	1210	1140	1260	1140
2FFL	3000	1990	3513	3984	1015	1486	5	10	1500	1370	1500	1370	1460	1320	1460	1320
	3300	2140	3813	4284	1165	1636	5	10	1500	1370	1500	1370	1450	1320	1450	1320
3FFL	4500	2040	5013	5484	1045	1516	5	6	1390	1260	1410	1280	1330	1210	1360	1230
	4800	2140	5313	5784	1145	1616	5	6	1250	1250	1370	1260	1250	1200	1330	1210
	5500	2405	6013	6484	1415	1886	3	6	880	880	990	990	870	870	990	990
	6000	2590	6513	6984	1595	2066	3	6	660	660	760	760	640	640	750	750

## MAST DIMENSIONS – ERP 18UX

Mast type	Max fork height	Overall Extended Height			Free Lift		Mast Tilt		Capacity without Shiftshift				Capacity with Sideshift			
		Lowered height	Lift Height		With LBR	Without LBR	F	B	Single Pneu Tyres		Single Solid Tyres		Single Pneu Tyres		Single Solid Tyres	
			Without LBR	With LBR					@ 500 mm LC	@ 600 mm LC	@ 500 mm LC	@ 600 mm LC	@ 500 mm LC	@ 600 mm LC	@ 500 mm LC	@ 600 mm LC
(mm)	(mm)	(mm)	(mm)	(mm)	(mm)	(°)	(°)	(kg)	(kg)	(kg)	(kg)	(kg)	(kg)	(kg)	(kg)	
2LFL	3300	2140	3813	4284	135	135	5	10	1800	1680	1800	1680	1780	1610	1780	1610
	3500	2240	4013	4484	135	135	5	10	1800	1680	1800	1680	1770	1610	1770	1610
	4000	2540	4513	4984	135	135	5	10	1740	1640	1800	1640	1730	1580	1740	1580
	5000	3040	5513	5984	135	135	5	6	1330	1320	1590	1440	1310	1290	1520	1380
2FFL	3000	1990	3513	3984	1015	1486	5	10	1800	1680	1800	1680	1790	1630	1790	1630
	3300	2140	3813	4284	1165	1636	5	10	1800	1680	1800	1680	1790	1620	1790	1620
3FFL	4500	2040	5013	5484	1045	1516	5	6	1540	1540	1740	1570	1530	1500	1670	1510
	4800	2140	5313	5784	1145	1616	5	6	1340	1340	1710	1560	1340	1340	1650	1500
	5500	2405	6013	6484	1415	1886	3	6	970	970	1370	1370	960	960	1360	1350
	6000	2590	6513	6984	1595	2066	3	6	750	750	1080	1080	720	720	1080	1080

## MAST DIMENSIONS – ERP 20UX

Mast type	Max fork height	Overall Extended Height			Free Lift		Mast Tilt		Capacity without Shiftshift				Capacity with Sideshift			
		Lowered height	Lift Height		With LBR	Without LBR	F	B	Single Pneu Tyres		Single Solid Tyres		Single Pneu Tyres		Single Solid Tyres	
			Without LBR	With LBR					@ 500 mm LC	@ 600 mm LC	@ 500 mm LC	@ 600 mm LC	@ 500 mm LC	@ 600 mm LC	@ 500 mm LC	@ 600 mm LC
(mm)	(mm)	(mm)	(mm)	(mm)	(mm)	(°)	(°)	(kg)	(kg)	(kg)	(kg)	(kg)	(kg)	(kg)	(kg)	
2LFL	3300	2180	3915	4315	140	140	5	10	2000	1850	2000	1850	1960	1780	1960	1780
	3500	2280	4115	4515	140	140	5	10	2000	1850	2000	1850	1960	1780	1960	1780
	4000	2580	4615	5015	140	140	5	10	2000	1820	2000	1820	1920	1750	1920	1750
	5000	3080	5615	6015	140	140	5	6	1620	1590	1800	1630	1590	1560	1720	1570
2FFL	3000	2030	3615	4015	985	1385	5	10	2000	1820	2000	1820	1940	1760	1940	1760
	3300	2180	3915	4315	1135	1535	5	10	2000	1810	2000	1810	1940	1750	1940	1750
3FFL	4500	2090	5115	5515	1040	1440	5	6	1840	1770	1910	1770	1840	1700	1870	1700
	4800	2190	5415	5815	1140	1540	5	6	1610	1610	1860	1710	1610	1610	1810	1650
	5500	2455	6115	6515	1400	1800	3	6	1150	1150	1480	1480	1140	1140	1480	1480
	6000	2640	6615	7015	1590	1990	3	6	880	880	1150	1150	860	860	1140	1140

## MAST DIMENSIONS – ERP 25UX

Mast type	Max fork height	Overall Extended Height			Free Lift		Mast Tilt		Capacity without Shiftshift				Capacity with Sideshift			
		Lowered height	Lift Height		With LBR	Without LBR	F	B	Single Pneu Tyres		Single Solid Tyres		Single Pneu Tyres		Single Solid Tyres	
			Without LBR	With LBR					@ 500 mm LC	@ 600 mm LC	@ 500 mm LC	@ 600 mm LC	@ 500 mm LC	@ 600 mm LC	@ 500 mm LC	@ 600 mm LC
(mm)	(mm)	(mm)	(mm)	(mm)	(mm)	(°)	(°)	(kg)	(kg)	(kg)	(kg)	(kg)	(kg)	(kg)	(kg)	
2LFL	3300	2180	3915	4315	140	140	5	10	2500	2330	2500	2330	2470	2250	2470	2250
	3500	2280	4115	4515	140	140	5	10	2500	2330	2500	2330	2470	2240	2470	2240
	4000	2580	4615	5015	140	140	5	10	2380	2300	2500	2300	2350	2210	2430	2210
	5000	3080	5615	6015	140	140	5	6	1760	1720	2290	2080	1740	1700	2200	2000
2FFL	3000	2030	3615	4015	985	1385	5	10	2500	2290	2500	2290	2450	2220	2450	2220
	3300	2180	3915	4315	1135	1535	5	10	2500	2290	2500	2290	2450	2210	2450	2210
3FFL	4500	2090	5115	5515	1040	1440	5	6	2040	2040	2400	2220	2040	2040	2350	2140
	4800	2190	5415	5815	1140	1540	5	6	1790	1790	2290	2150	1790	1790	2280	2080
	5500	2455	6115	6515	1400	1800	3	6	1270	1270	1630	1630	1260	1260	1640	1640
	6000	2640	6615	7015	1590	1990	3	6	960	960	1230	1230	950	950	1230	1230

All values are nominal values and they are subject to tolerances.

## MAST DIMENSIONS – ERP 30UX

Mast type	Max fork height	Overall Extended Height			Free Lift		Mast Tilt		Capacity without Shiftshift				Capacity with Sideshift			
		Lowered height	Lift Height		With LBR	Without LBR	F	B	Single Pneu Tyres		Single Solid Tyres		Single Pneu Tyres		Single Solid Tyres	
			Without LBR	With LBR					@ 500 mm LC	@ 600 mm LC	@ 500 mm LC	@ 600 mm LC	@ 500 mm LC	@ 600 mm LC	@ 500 mm LC	@ 600 mm LC
(mm)	(mm)	(mm)	(mm)	(mm)	(mm)	(°)	(°)	(kg)	(kg)	(kg)	(kg)	(kg)	(kg)	(kg)	(kg)	
2LFL	3300	2195	3970	4440	165	165	5	10	3000	2750	3000	2750	2930	2670	2930	2670
	3500	2295	4170	4640	165	165	5	10	3000	2740	3000	2740	2920	2660	2920	2660
	4000	2595	4670	5140	165	165	5	10	2960	2690	2960	2690	2870	2610	2870	2610
	5000	3095	5670	6140	165	165	5	6	2300	2290	2710	2470	2290	2280	2630	2390
2FFL	3000	2045	3685	4140	935	1390	5	10	3000	2740	3000	2740	2960	2690	2960	2690
	3300	2195	3985	4440	1085	1540	5	10	3000	2730	3000	2730	2950	2680	2950	2680
3FFL	4500	2095	5225	5640	975	1390	5	6	2850	2660	2860	2670	2840	2580	2850	2590
	4800	2195	5525	5940	1075	1490	5	6	2480	2480	2800	2610	2480	2480	2780	2530
	5500	2460	6225	6640	1330	1745	3	6	1750	1750	2180	2180	1740	1740	2190	2190
	6000	2645	6725	7140	1525	1940	3	6	1290	1290	1590	1590	1280	1280	1590	1590

## MAST DIMENSIONS – ERP 35UX

Mast type	Max fork height	Overall Extended Height			Free Lift		Mast Tilt		Capacity without Shiftshift		Capacity with Sideshift	
		Lowered height	Lift Height		With LBR	Without LBR	F	B	Single Solid Tyres		Single Solid Tyres	
			Without LBR	With LBR					@ 500 mm LC	@ 600 mm LC	@ 500 mm LC	@ 600 mm LC
(mm)	(mm)	(mm)	(mm)	(mm)	(mm)	(°)	(°)	(kg)	(kg)	(kg)	(kg)	
2LFL	3300	2270	4040	4440	170	170	5	10	3500	3230	3440	3140
	3500	2370	4240	4640	170	170	5	10	3500	3220	3340	3040
	4000	2670	4740	5140	170	170	5	6	3360	3070	3270	2990
	5000	3170	5740	6140	170	170	5	6	3180	2890	3080	2810
2FFL	3000	2120	3725	4140	1000	1415	5	10	3500	3200	3420	3100
	3300	2270	4025	4440	1150	1565	5	10	3500	3190	3410	3100
3FFL	4500	2170	5310	5640	1050	1380	5	6	3200	2920	3110	2840
	4800	2270	5610	5940	1150	1480	5	6	3110	2830	3020	2760
	5500	2535	6310	6640	1405	1735	3	6	2270	2270	2270	2270
	6000	2720	6810	7140	1600	1930	3	6	1690	1690	1690	1690

## FEATURES LIST – UX SERIES

	STD	OPT		STD	OPT
1.5 - 1.8t Hoist Motors (8kW Drive and 8.6kW)	●		Steering Wheel with Spinning Knob	●	
2.0 - 2.5t Hoist Motors (48V AC Technology: 11kW Drive and 8.6kW)	●		Tilt Adjustable Steering Column	●	
3.0 - 3.5t Hoist Motors (80V AC Technology: 15kW Drive and 10kW)	●		Partial and full cab with/without heater		●
Mast (2-stage LFL 3300mm)	●		Key Switch Start	●	
Mast (2-stage LFL and 3-stage FFL Masts)		●	Entry Grab Handle	●	
Carriage (1040mm Class II or 1100mm Class II or III)	●		Rear/reversing handle		●
Carriages: 1200, 1500mm (Class II - III)		●	Dash Display (Battery level, Speed, LCD Hour Meter)	●	
Forks (1070 x 122 x 40mm Class II or 1070 x 122 x 45 / 50mm Class III)	●		Mirrors	●	
Forks: 1220mm (Class II - III)		●	Load Backrest	●	
Integral Sideshift		●	Strobe Light (magnetically mounted)	●	
Superelastic Tyres: Drive – 6.00-9 (1.5t), 21x8-9 (1.8t), 23x9-10 (2.0-3.0t), 23x10-12 (3.5t)	●		LED Light Kit - 2 x Front Work, 2 x Front Turn, Rear Turn / Tail / Brake / Reverse	●	
Superelastic Tyres: Steer – 5.00-8 (1.5t-1.8t), 18x7-8 (2.0-3.0t), 200/50-10 (3.5t)			Rear Work Light		●
Pneumatic drive and steer tyres		●	Audible Reverse Alarm	●	
Dual Drive Wheels and Fender Extensions		●	Toolbox	●	
Two Function Cowl Mounted Manual Lever – Lift / Tilt	●		Towing Pin	●	
Forward / Reverse Directional Lever	●		Operator Manual	●	
Manual Park Brake	●		12 Months / 2000 Hours Manufacturer's Warranty	●	
Full Suspension Seat (EU)	●		USB port	●	
Full Suspension Seat (MEA)		●			
Non-Suspension Seat (Vinyl) (MEA)	●				

All values are nominal values and they are subject to tolerances.



# About Yale®

Yale Lift Truck Technologies leverages over a century of material handling experience and substantial investment in innovation to bring the most advanced technology-driven lift truck solutions to market. The company offers a full line of award-winning lift trucks, including reach trucks, order pickers, turret trucks, pallet jacks and trucks, pallet stackers, tow tractors and counterbalanced forklifts, as well as powerful operator assist solutions, proven robotics and a wide range of power sources to help customers adapt to today's demanding supply chain. Yale and its independent dealer network support these solutions with comprehensive after-sales service, parts, financing and training.

Yale Lift Truck Technologies is a trading name of Hyster-Yale Asia-Pacific Pty Ltd., a wholly owned subsidiary of Hyster-Yale Materials Handling, Inc.(NYSE:HY) which is headquartered in Cleveland, Ohio and operates globally.

## MATERIALS HANDLING FOR:

Third-party logistics (3PL)

Auto parts distribution

Beverage

Cold & frozen foods

Food distribution

Food processing

Furniture & furnishings

Government

Health & pharma


Home centers

Retail & e-commerce

Yale Lift Truck Technologies | Pacific  
1/23 Rowood Road  
Prospect NSW 2148

Yale Lift Truck Technologies | Asia  
16 Tuas Avenue 20  
Singapore 638827

[yale.com](http://yale.com)

© 2023 Hyster-Yale Group, Inc., all rights reserved. YALE and  are trademarks of Hyster-Yale Group, Inc. Trucks may be shown with optional equipment and/or features not available in all regions. Specifications and details in this brochure are subject to change without prior notification.